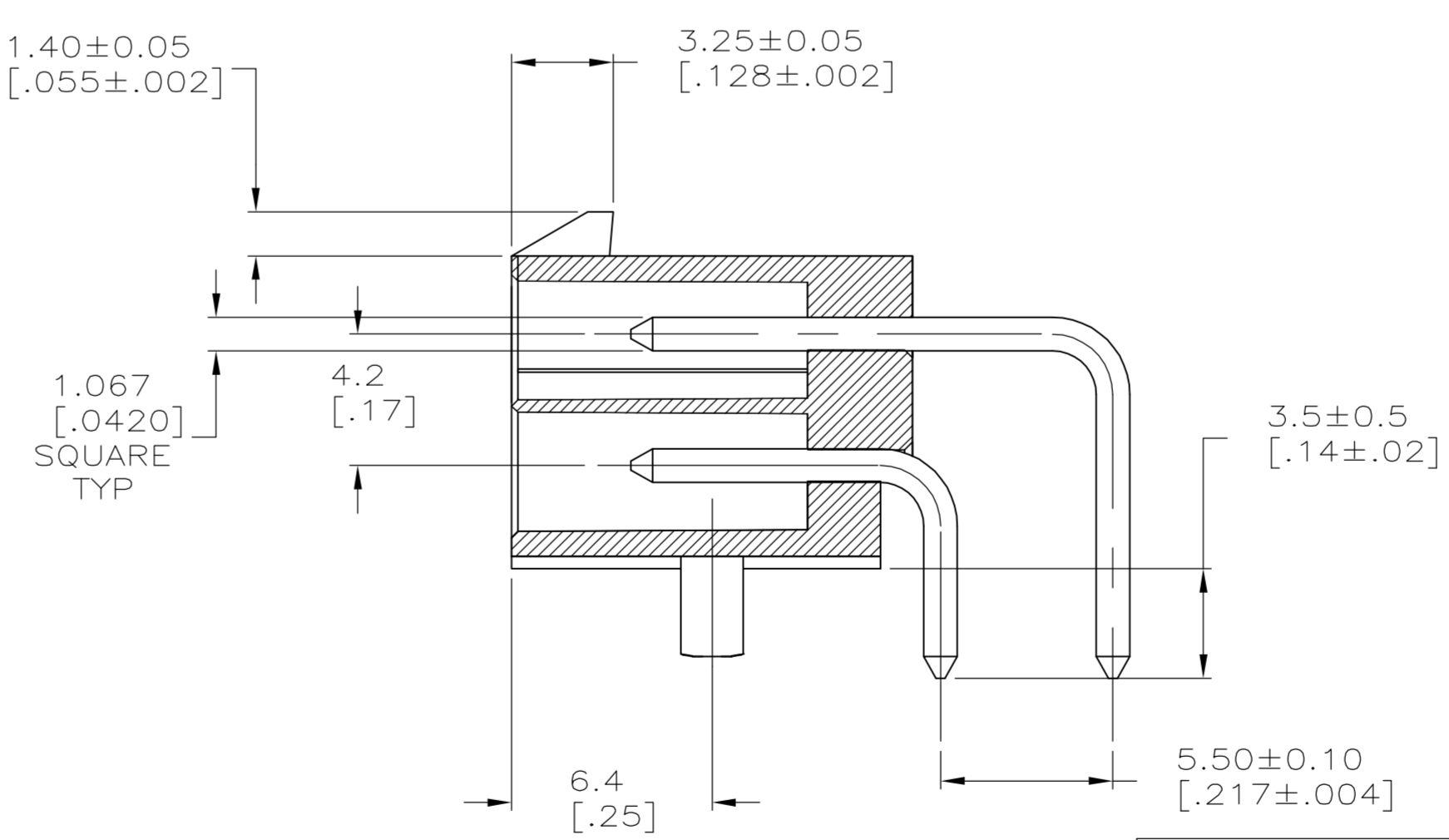
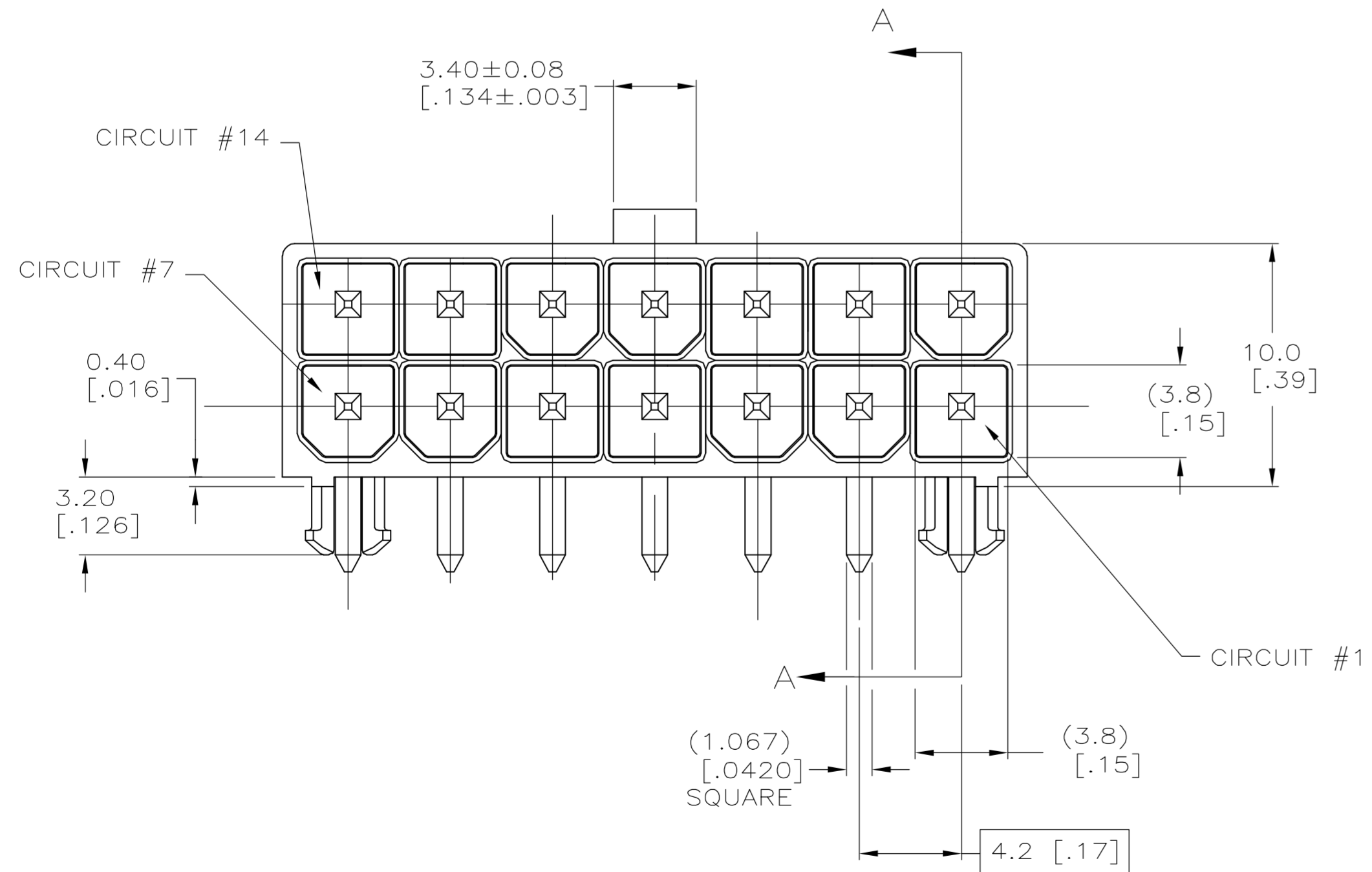
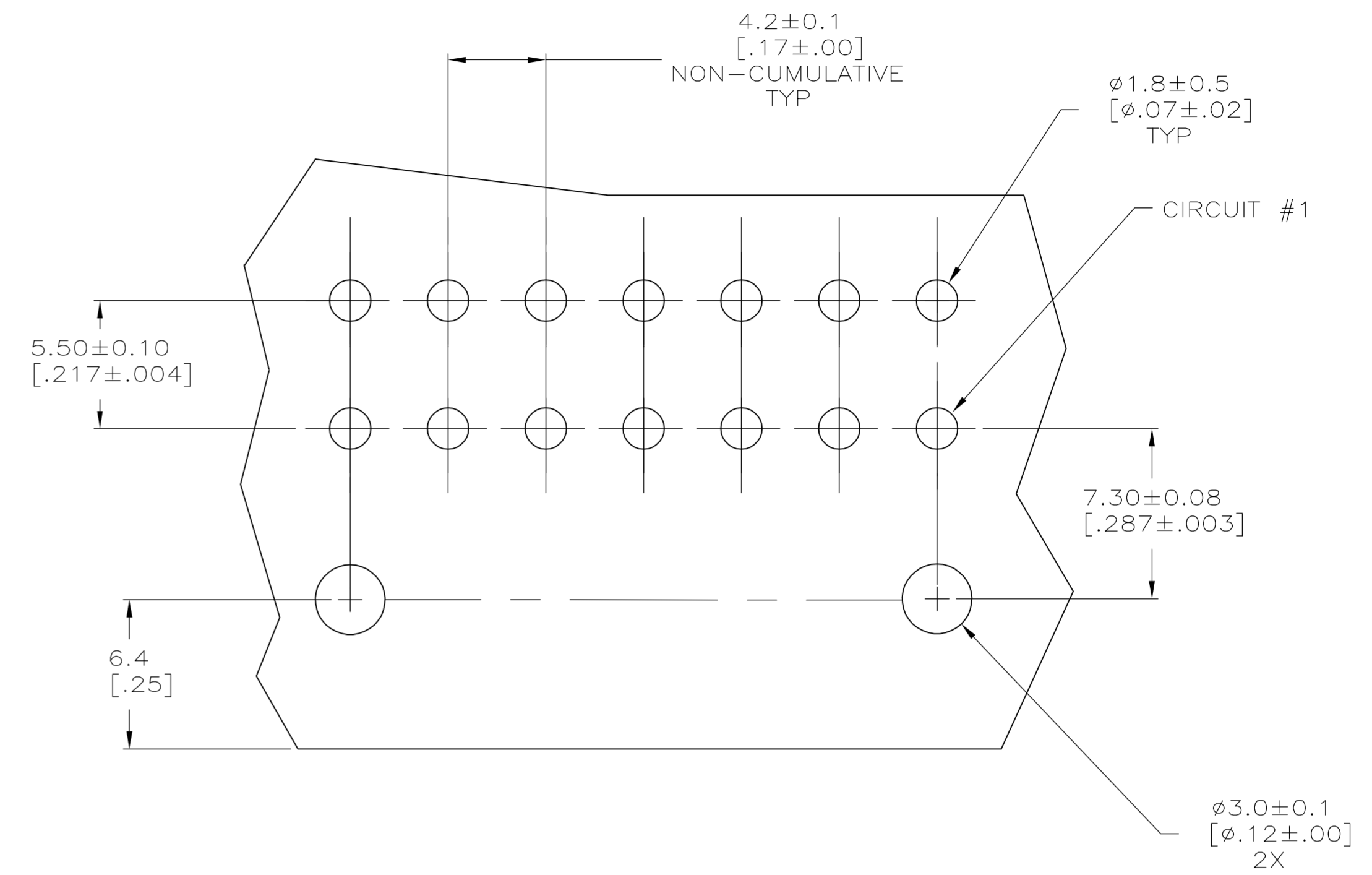
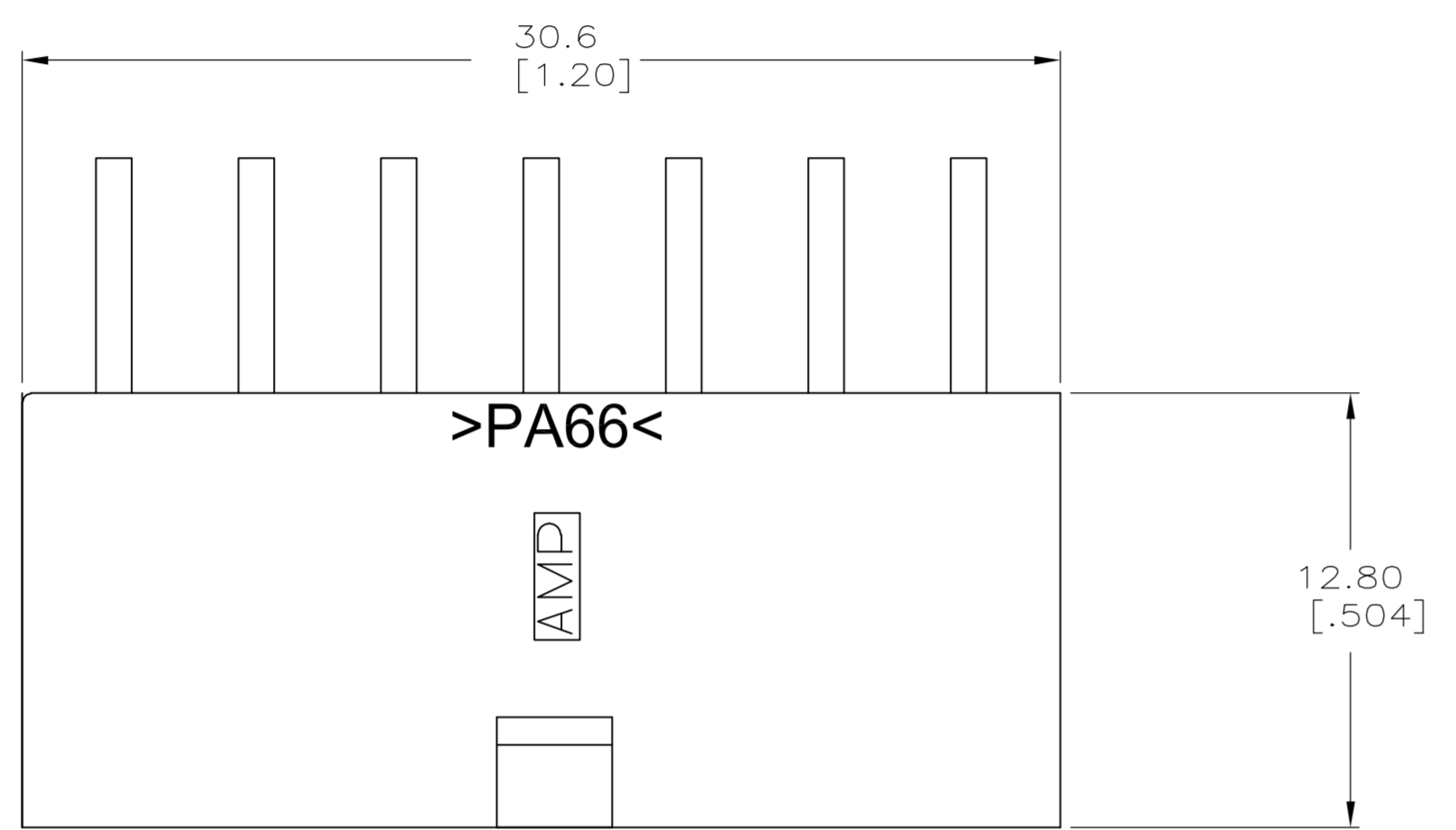


LOC		DIST		REVISIONS			
P	LTR	DATE	DESCRIPTION	DATE	OWN	APVD	
D		10NOV06	REVISED PER ECO-06-014735		KW	DC	

- 1 MATERIAL: HOUSING - NYLON, UL94V-2 (COLOR - NATURAL).
PIN - 1.067mm² [.0017in²] COPPER ALLOY.
- 2 PINS TO COMPLY WITH SOLDERABILITY SPEC 109-11-3.
- 3 0.00381 [.000150] MINIMUM TIN LEAD OVER 0.00127 [.000050] MINIMUM NICKEL, ENTIRE LENGTH OF PIN.
- 4 NOTE DELETED.
- 5 0.00381 [.000150] MINIMUM TIN OVER 0.00127 [.000050] MINIMUM NICKEL, ENTIRE LENGTH OF PIN.



SUPERSEDED BY 1-794512-1

1	5	1	1	1-794512-1
1	3	1	1	794512-1
MATERIAL		FINISH		ASSEMBLY
PIN		HOUSING		

METRIC

THIS DRAWING IS A CONTROLLED DOCUMENT.

DIMENSIONS:	mm [INCHES]	TOLERANCES UNLESS OTHERWISE SPECIFIED:	0 PLC ± .02 [0.1]	1 PLC ± .02 [0.1]	2 PLC ± .013 [0.005]	3 PLC ± .013 [0.005]	4 PLC ± .013 [0.005]	ANGLES: ± 0° 30'	FINISH: SEE CHART	MATERIAL: SEE CHART
-------------	-------------	--	-------------------	-------------------	----------------------	----------------------	----------------------	------------------	-------------------	---------------------

DWN	S. HOOVER	02-MAR-2005	Tyco Electronics Corporation Harrisburg, Pa 17105-3608
CHK	D. COLEY	02-MAR-2005	
APVD	D. COLEY	02-MAR-2005	
PRODUCT SPEC	108-1646	NAME	
APPLICATION SPEC	114-6067	SIZE	A1
WEIGHT	00779	CAGE CODE	794512
CUSTOMER DRAWING	SCALE	5:1	SHEET 1 OF 1 REV D